

Pump unloading

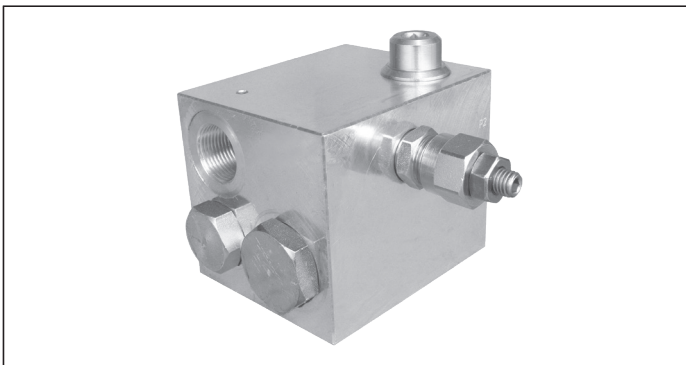
VEP-VSP2

05.90.06 - X - Y - Z

RE 18310-13

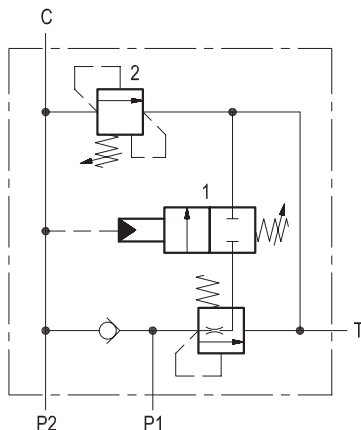
Edition: 03.2016

Replaces: 04.2010



Description

Through the check valve, the pump inlet P1 is combined to the inlet P2 to give maximum flow out of C at low pressure. As load pressure (C) increases and reaches the selected unloading setting, the pilot piston (1) is displaced and exhausts to tank the spring chamber of the main spool allowing P1 pump to be by-passed to tank. Above this pressure threshold, only P2 pump continues to deliver oil out of C, with a resulting reduced flow at high pressure. The incorporated relief cartridge (2) provides protection by limiting the maximum pressure in the system line (C).

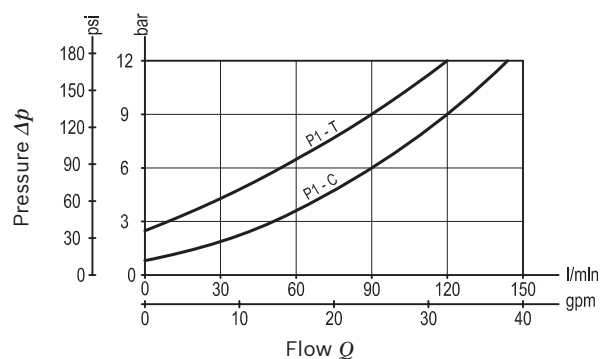


Technical data

Operating pressure	P1 = 100 bar (1450 psi) P2 = 210 bar (3000 psi)
Max. flow of valve 2	30 l/min. (8 gpm)
Weight	2.5 kg (5.5 lbs)
Manifold material	Aluminium
Note: aluminium bodies are often strong enough for operating pressures exceeding 210 bar (3000 psi), depending from the fatigue life expected in the specific application. If in doubt, consult our Service Network.	
Fluid	Mineral oil (HL, HLP) according DIN 51524
Fluid temperature range	-30 °C to 100 (-22 to 212 °F)
Viscosity range	10 to 500 mm ² /s (cSt)
Recommended degree of fluid contamination	Class 19/17/14 according to ISO 4406
Other technical data	see data sheet 18350-50

Note: for applications outside these parameters, please consult us.

Characteristic curve



Ordering code

05.90.06	X	Y	Z
-----------------	----------	----------	----------

Pump unloading

Adjustments

03 Leakproof hex. socket screw



Port sizes

P1 - P2

C

T

04

G 3/4

G 3/4

G 3/4

SPRINGS

		Adj. pressure range bar (psi)	Pres. increase bar/turn (psi/turn)	Std. setting Q=5 (l/min.) bar (psi)
20	Valve 1	20-100 (290-1450)	24 (348)	50 (725)
	Valve 2	50-210 (725-3000)	47 (682)	200 (2900)
35	Valve 1	20-100 (290-1450)	24 (348)	50 (725)
	Valve 2	100-350 (1450-5000)	82 (1189)	300 (4350)

Tamper resistant cap
ordering code 11.04.23.003
Mat. no. R930000754

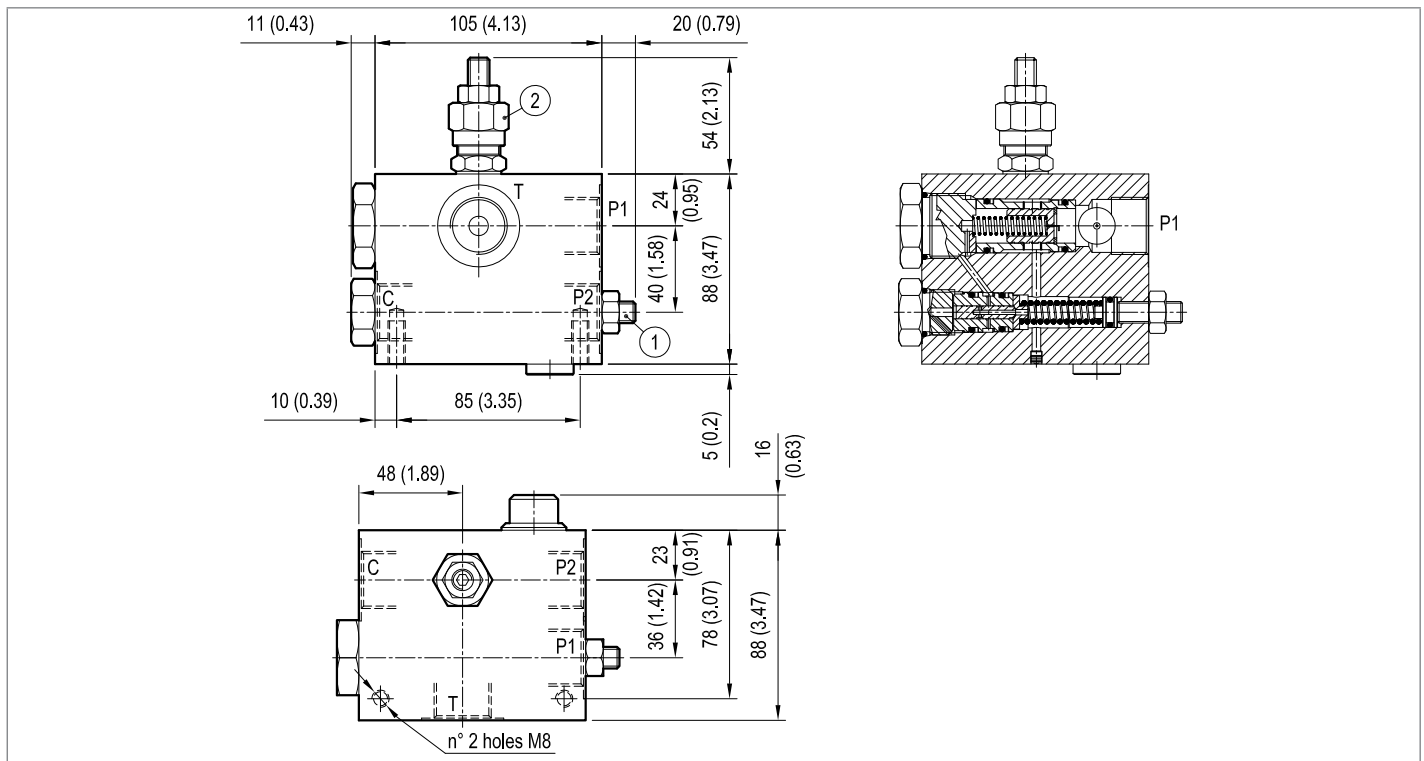


Preferred types

Type	Material number
05900603042000A	R930059057
05900603043500A	R930059058

Type	Material number

Dimensions



Bosch Rexroth Oil Control S.p.A.

Via Leonardo da Vinci 5
P.O. Box no. 5
41015 Nonantola – Modena, Italy
Tel. +39 059 887 611
Fax +39 059 547 848
compact-hydraulics-pib@boschrexroth.com
www.boschrexroth.com/compacthydraulics

© This document, as well as the data, specifications and other information set forth in it, are the exclusive property of Bosch Rexroth Oil Control S.p.a.. It may not be reproduced or given to third parties without its consent. The data specified above only serve to describe the product. No statements concerning a certain condition or suitability for a certain application can be derived from our information. The information given does not release the user from the obligation of own judgment and verification. It must be remembered that our products are subject to a natural process of wear and aging. Subject to change.